

# feather&black

Perfect Bedtimes

## Verona Double Wardrobe – Assembly Guide

**IMPORTANT READ CAREFULLY – RETAIN FOR FUTURE REFERENCE**

**Thank you for buying the Verona Double Wardrobe**

- Please take a few quiet minutes to read these instructions
- It is recommended that this product is assembled by two adults
- This product contains small parts, keep small children clear of the assembly area

### **PRODUCT SAFETY**

- All assembly fastenings should always be tightened properly and care should be taken that no fittings are loose
- Periodically check and ensure that all components are in their proper position, free from damage, and that all connectors are tight
- Feather & Black strongly advise using the Anti-Tip wall fixings provided with this product however the wall fixing itself may need to be altered depending on your wall. If these fixings have been misplaced please contact our customer service team who will be more than happy to send you a replacement kit

### **PRODUCT CARE**

- Wipe clean using a soft damp cloth followed by dry cloth
- Do not use abrasives or cleaning product which may contain ammonia or solvents
- Take care when handling or moving the furniture. Careless handling can damage wooden furniture, try to lift rather than drag

### **TOOLS REQUIRED**

- Please use Allen Key (included) and Screwdriver (not included) to assemble the Verona Double Wardrobe

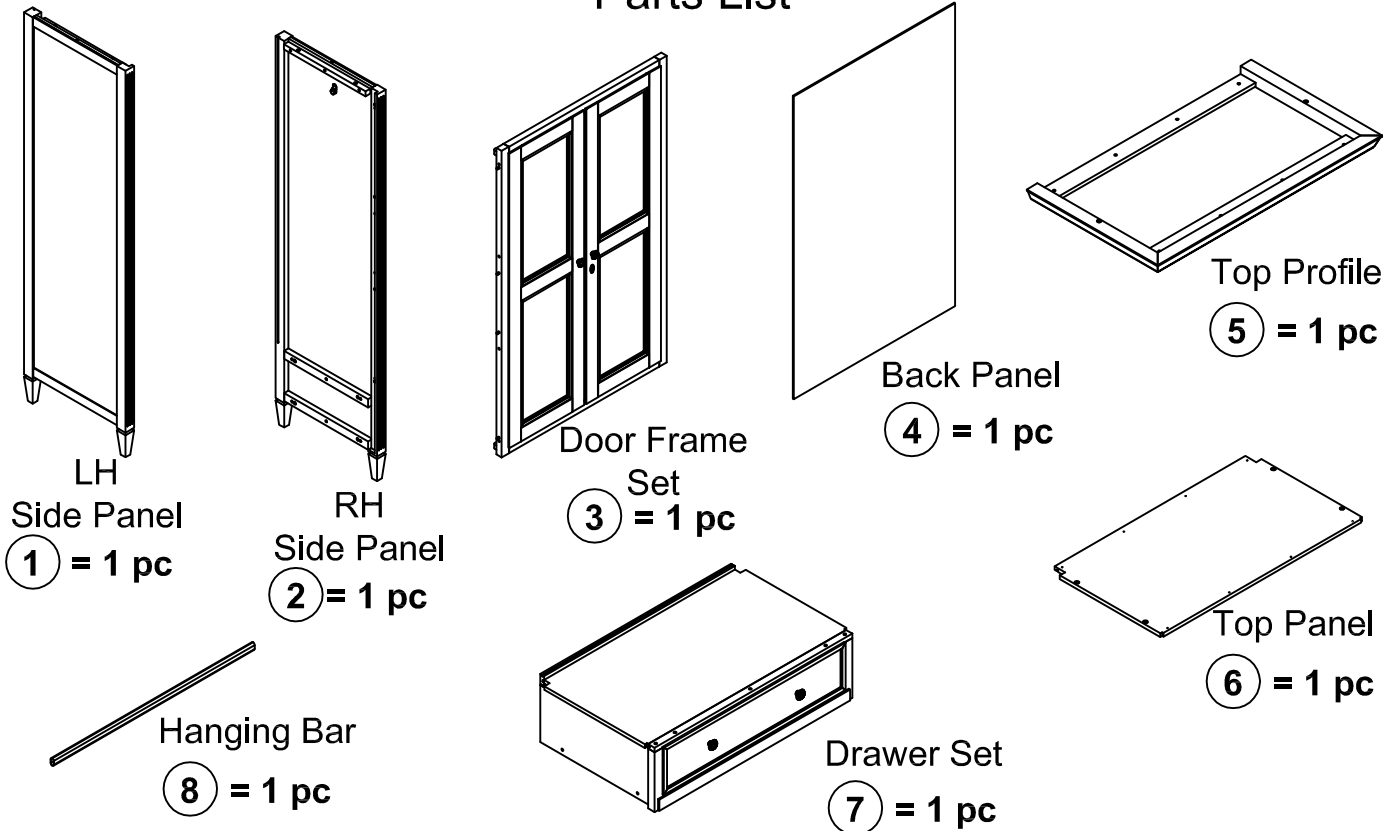


Contact Detail Customer Service Centre  
(01243)380 600  
[sales@featherandblack.com](mailto:sales@featherandblack.com)  
[www.featherandblack.com](http://www.featherandblack.com)

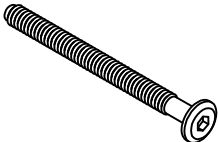
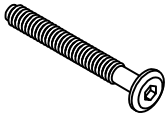
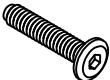
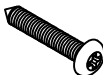
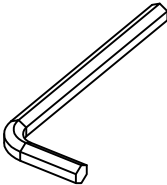



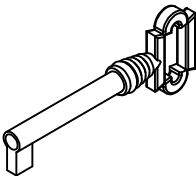
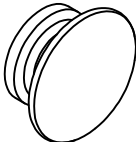
# ASSEMBLY INSTRUCTIONS

## VERONA DOUBLE WARDROBE

### Parts List



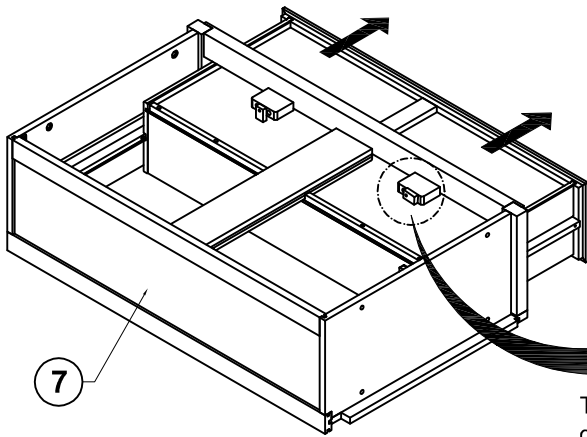
### Hardware and Wall Fixing Packs

 <b>A</b> = 2 pcs Bolt 70mm	 <b>B</b> = 8 pcs Bolt 50mm	 <b>C</b> = 15 pcs Bolt 30mm	 <b>D</b> = 8 pcs Screw	 <b>E</b> = 1 pc Allen Key
 <b>F</b> = 1 pc Strap Fixing Screw	 <b>G</b> = 1 pc Strap Fixing Washer	 <b>H</b> = 1 pc Strap	 <b>I</b> = 1 pc Key	 Optional Painted Handle <b>4 pcs</b>

# ASSEMBLY INSTRUCTIONS

## VERONA DOUBLE WARDROBE

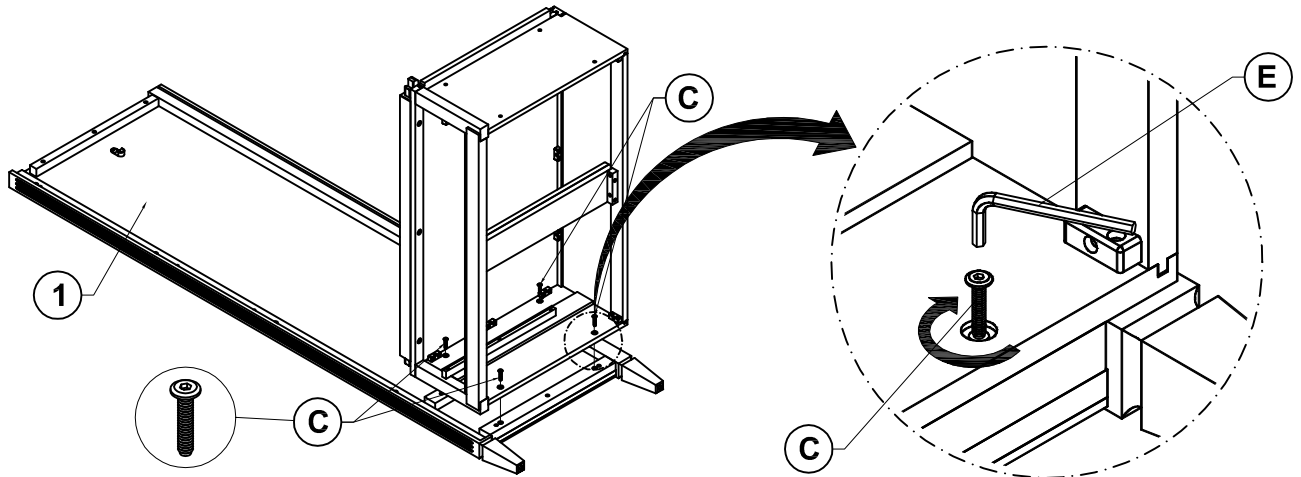
1



Turn the drawer stopper as shown to release the drawer out of drawer box

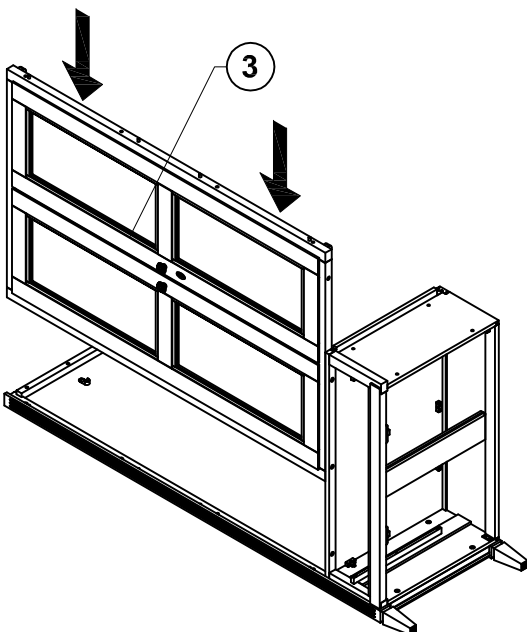
2

Use 4x bolts 30mm to fix the drawer box to LH side panel - as shown



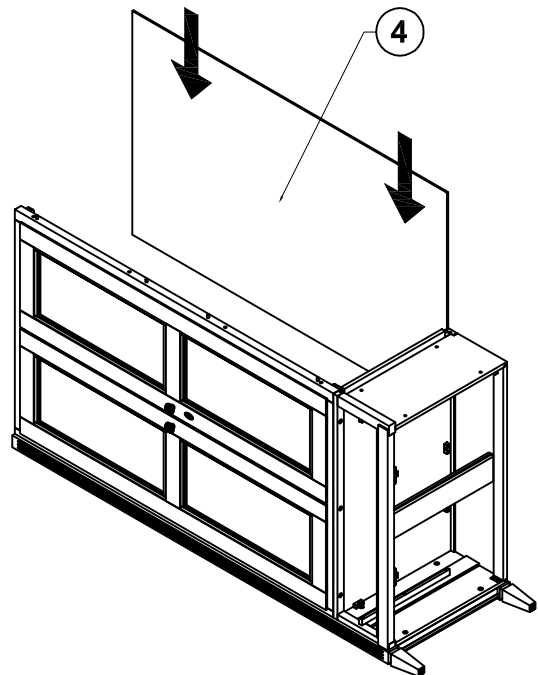
3

Put the door frame set and place as the dowel pins guide



4

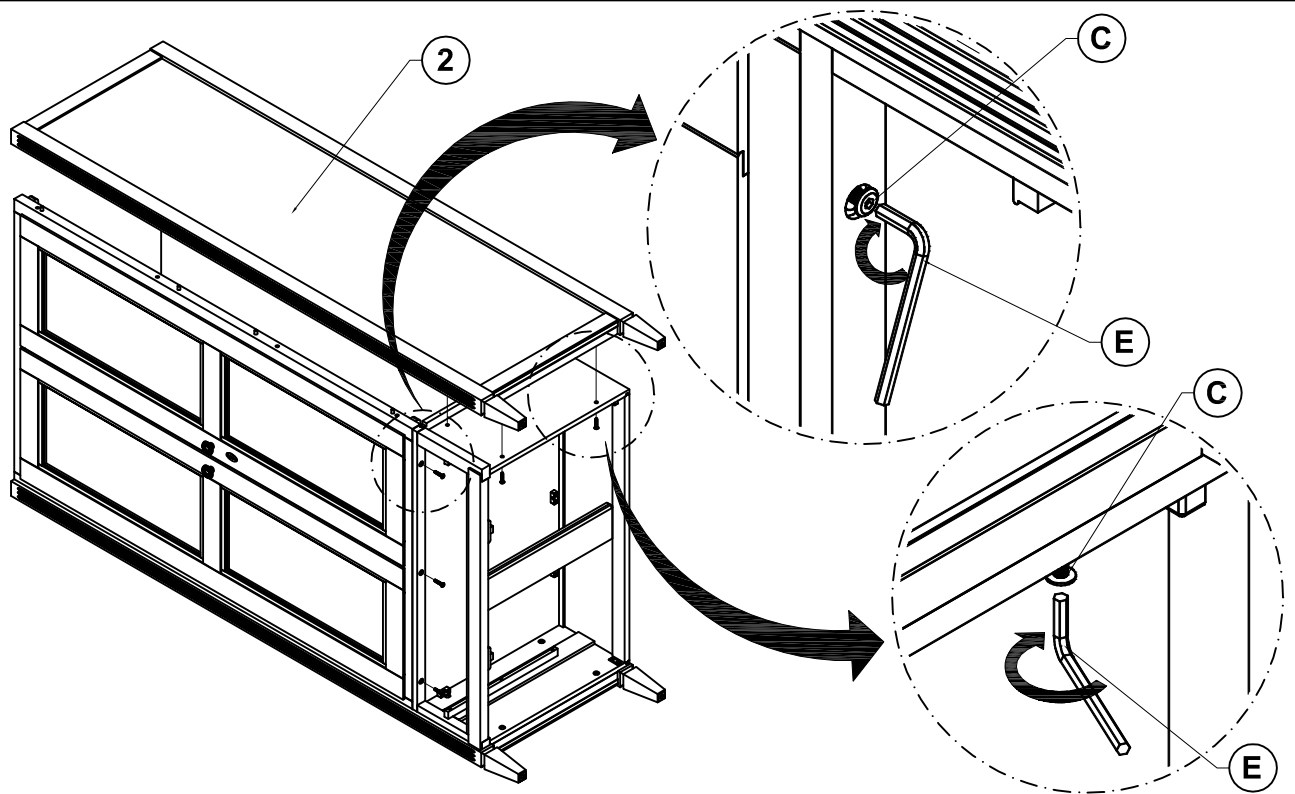
Insert the back panel



# ASSEMBLY INSTRUCTIONS

## VERONA DOUBLE WARDROBE

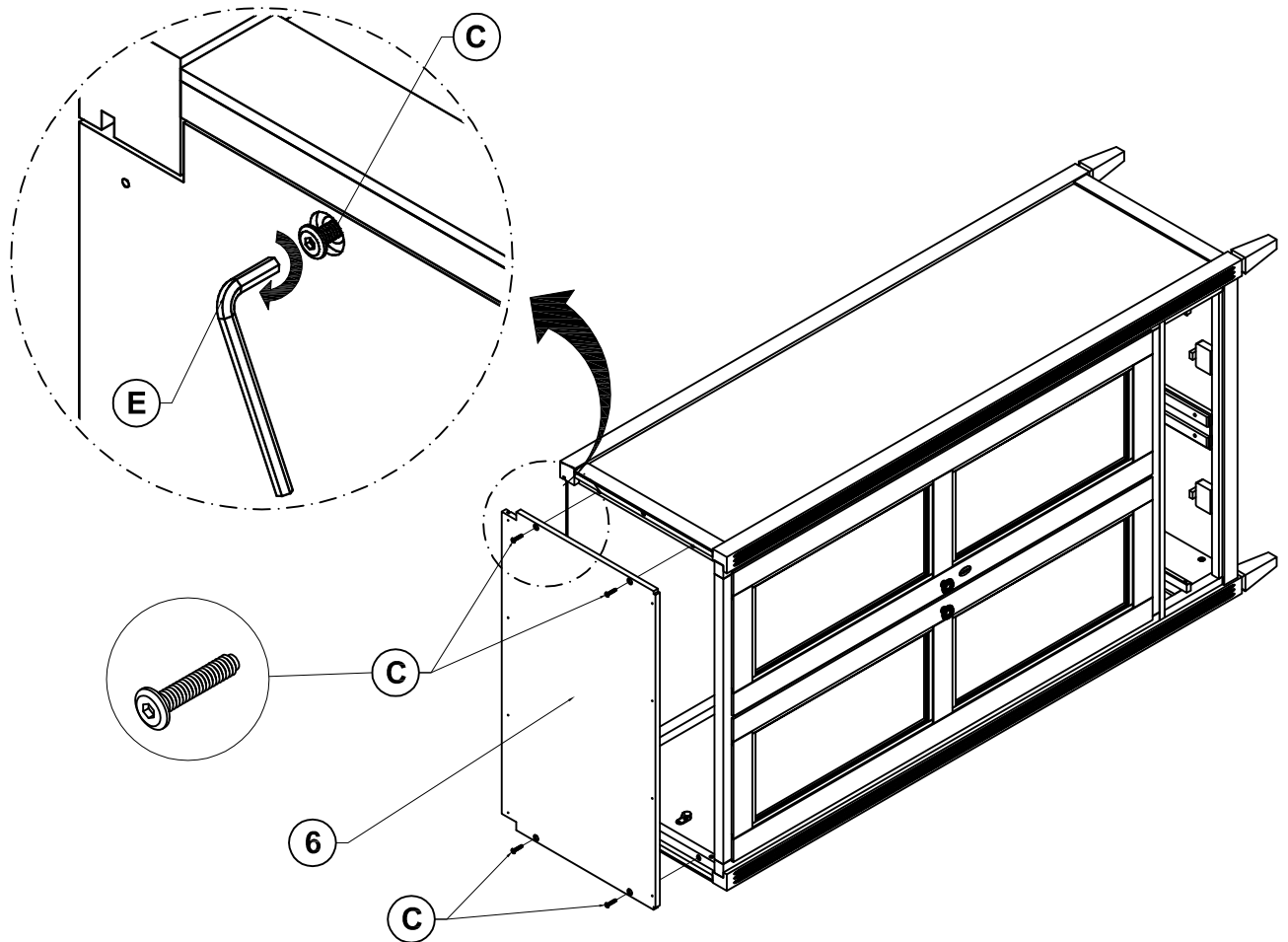
5



Use 4x bolts 30mm to fix the drawer box to RH side panel and 3x bolts 30mm to fix the drawer box to door frame set - as shown

6

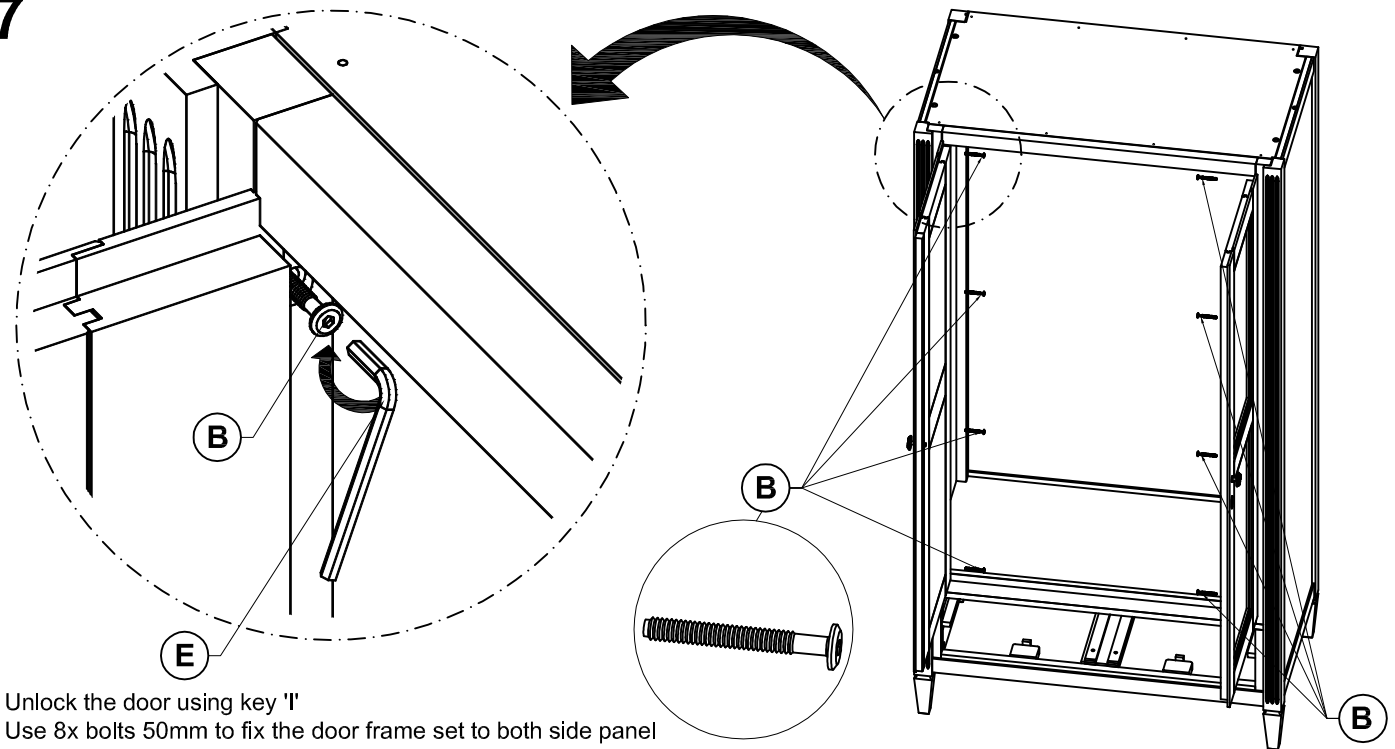
Fix the top panel using 4x bolts 30mm



# ASSEMBLY INSTRUCTIONS

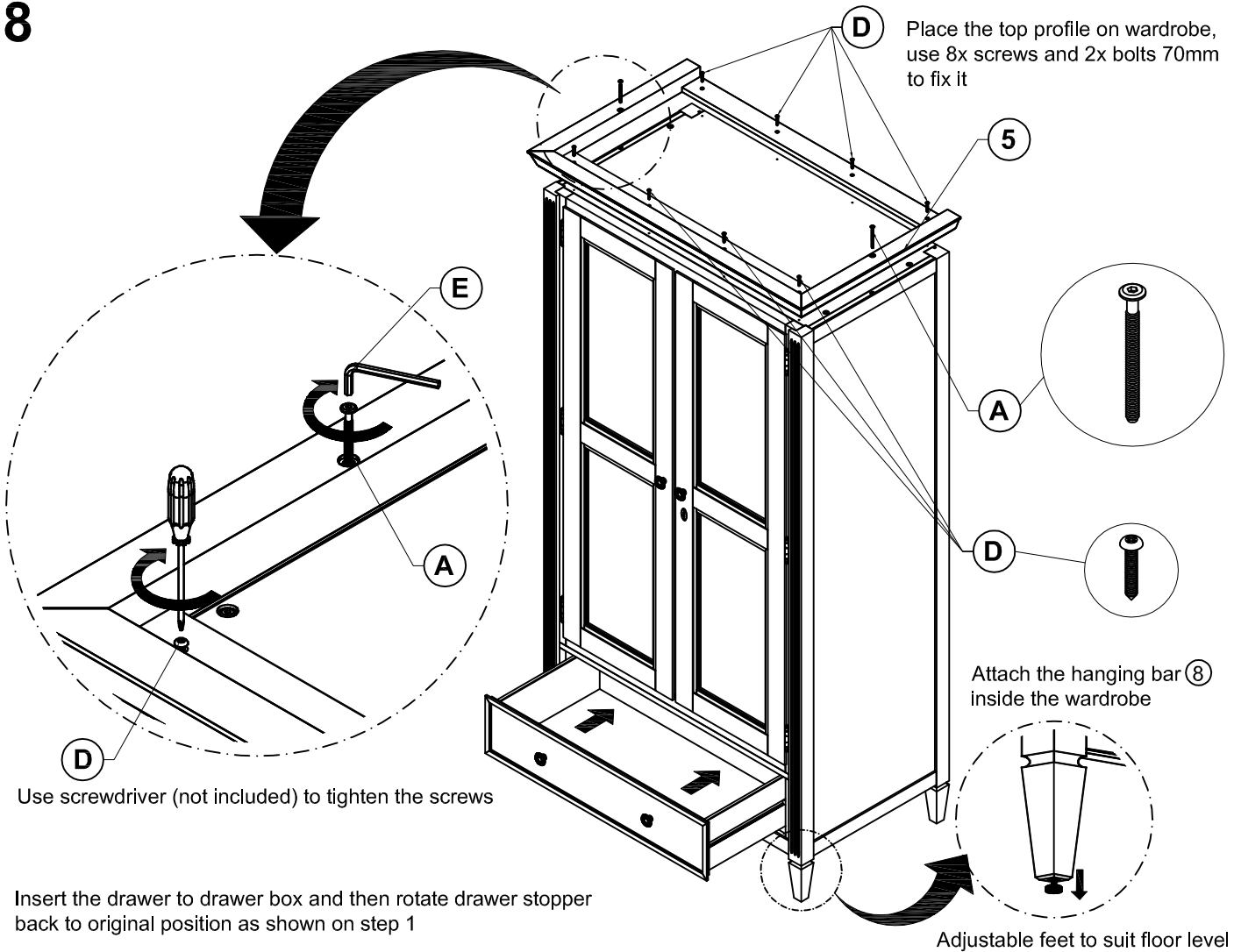
## VERONA DOUBLE WARDROBE

7



Unlock the door using key 'I'  
Use 8x bolts 50mm to fix the door frame set to both side panel

8



Place the top profile on wardrobe,  
use 8x screws and 2x bolts 70mm  
to fix it

Use screwdriver (not included) to tighten the screws

Insert the drawer to drawer box and then rotate drawer stopper  
back to original position as shown on step 1

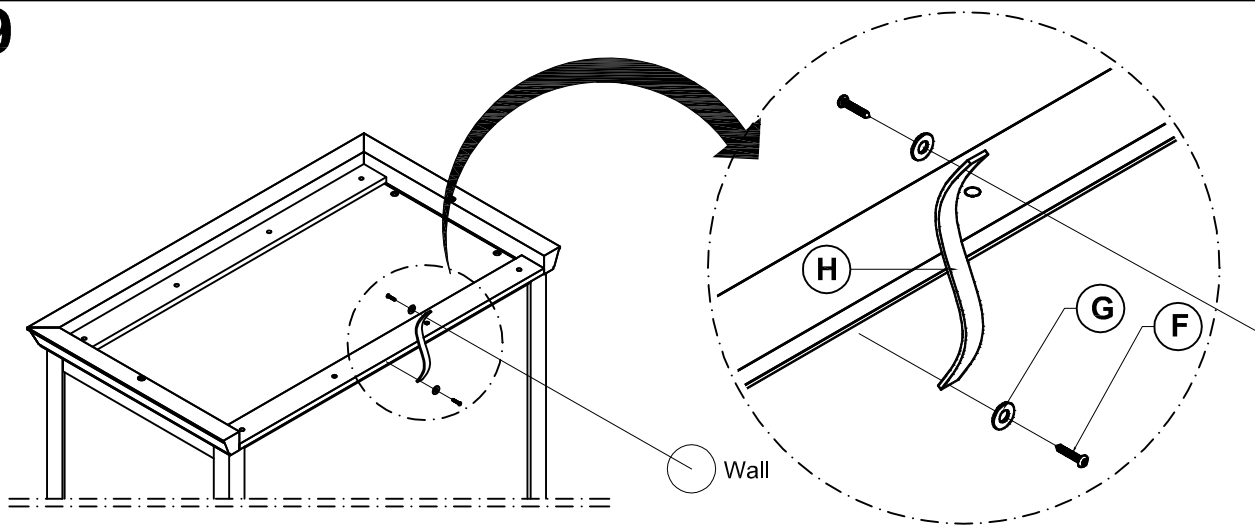
Attach the hanging bar (8)  
inside the wardrobe

Adjustable feet to suit floor level

# WALL FIXING INSTRUCTIONS

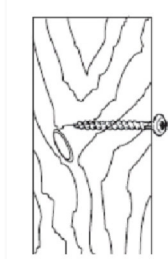
## VERONA DOUBLE WARDROBE

9

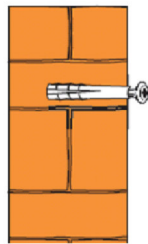


To avoid any risk of tipping, it is recommended to secure this unit to the wall as below instruction guide  
Due to different wall types, fixing NOT included

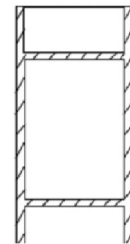
### Wall Fixing - if in doubt seek professional advice



**Wood**  
If fixing to wood make sure that it isn't chipboard as screws can easily pull away from the core structure



**Brick or Masonry**  
Use an appropriate wall plug provided you are sure your wall is sound



**Cavity Wall**  
Special toggle wall plugs are needed. Seek expert advice